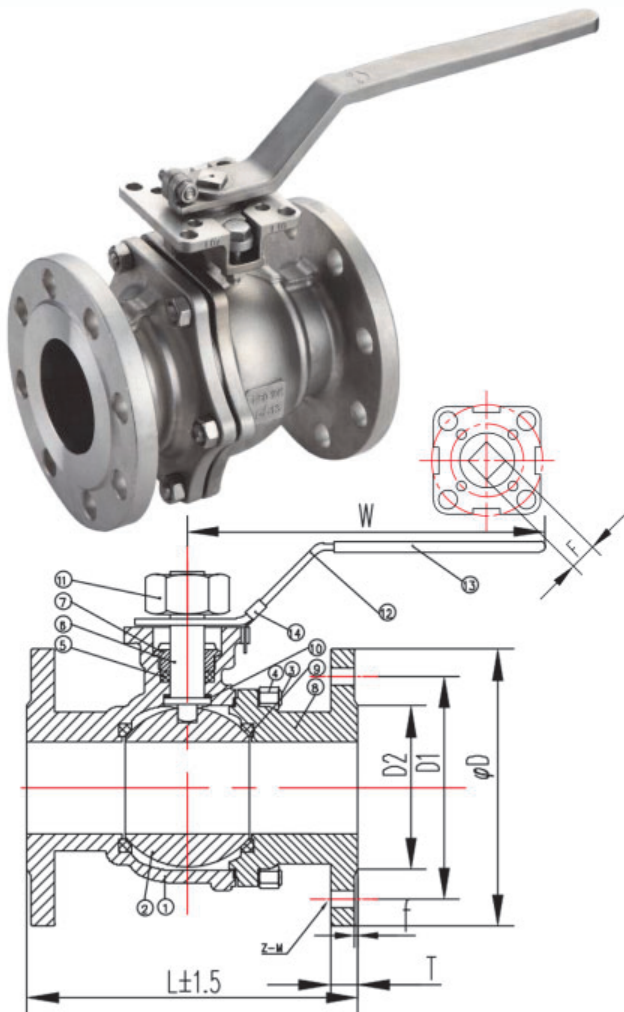


2PC JIS(KS) 10K BALL VALVE DIRECT MOUNTING PAD



DESIGN STANDARD:ASMEB16.34 GB/T12237

PRODUCT STYLE:Q41F-10K

WORKING PRESSURE:10K

TEMPERATURE RANGE:-20°C~120°C

MATERIAL:ASTM-A351-CF8M、ASTM-A351-CF8、

TEST&INSPECTION:API598 JB/T9092

MAIN PARTS MA TERIALS:

NO.	PART NAME	MATERIAL	QTY
1	CAP	CF8/CF8M/CF3M	1
2	BOLT	S201/S304	4(6)(8)
3	NUT	S201/S304	4(6)(8)
4	STEM SEAL	PTFE/RTFE	1
5	BALL	SS304/SS316/SS316L	1
6	SEAT	PTFE/RTFE/CABON	2
7	BODY	WCB/CF8/CF8M/CF3M	1
8	STEM	SS304/SS316/SS316L	1
9	THRUST WASHER	PTFE/RTFE	1
10	PACKING	PTFE/RTFE	1
11	GLAND	S201/S304	1
12	HANDLE	HT400	1
13	HANDLE LOCK	S201/S304	1

DIMENSION

DN	d	D	D1	D2	T	f	L (±1.5)	W	Z-M	F
15	15	95	70	52	12	1	108	130	4-Ø15	9
20	20	100	75	58	14	1	117	130	4-Ø15	9
25	25	125	90	70	14	1	127	130	4-Ø19	11
32	32	135	100	80	16	2	140	150	4-Ø19	11
40	40	140	105	85	16	2	165	190	4-Ø19	14
50	50	155	120	100	16	2	178	225	4-Ø19	14
65	65	175	140	120	18	2	190	235	4-Ø19	17
80	80	185	150	130	18	2	203	275	4-Ø19	17
100	100	210	175	157	18	2	229	285	4-Ø19	17
125	125	250	210	185	20	2	356	500	4-Ø23	22
150	150	280	240	215	22	2	394	630	4-Ø23	22