

PNEUMATIC ACCESSORIES

1. DECLUTCH GEARBOX

2. LIMIT SWITCH BOX

3. SOLENOID VALVE

4. AIR SET



DECLUTCH GEARBOX (KST-300)

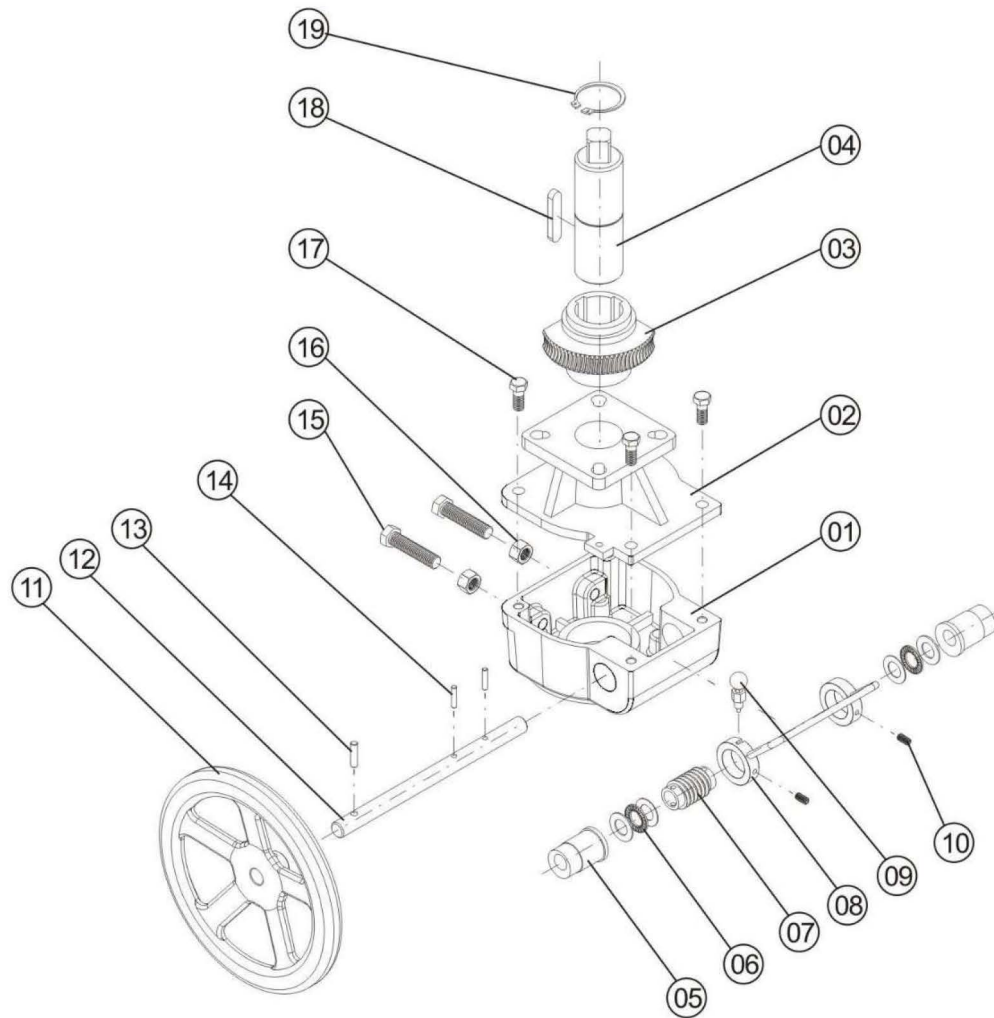


Main Purpose

The manual operation is supporting the use of pneumatic actuator. It is a main parts of automatic control system and mainly used to open and close 90° angular travel valves by manual, such as butterfly valve, ball valve and plug valve, etc. It also can be used for other automatic control products.

Product Feature

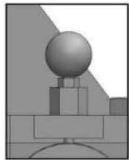
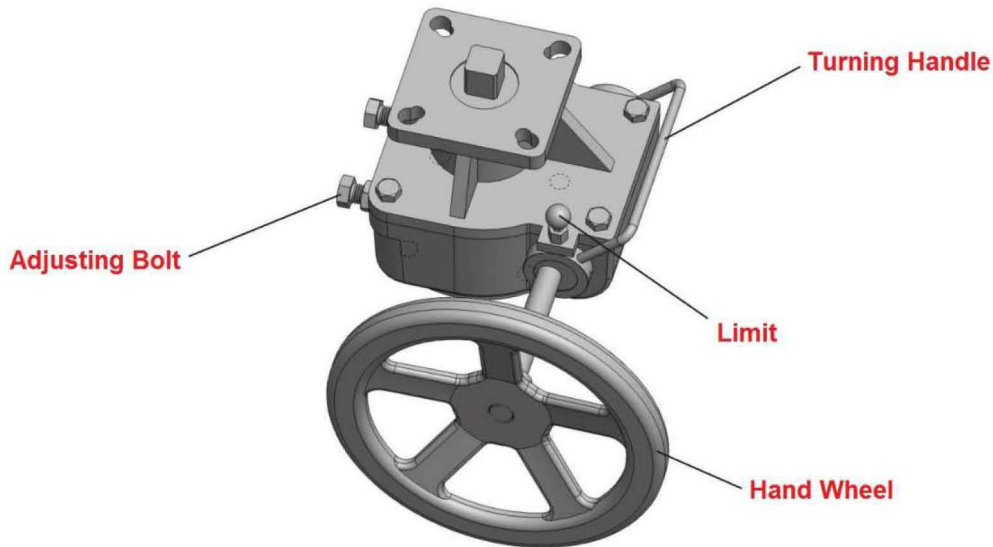
1. Small, light, reasonable design and novel style.
2. Product serialization. The output torque is good match the pneumatic actuator and valves.
3. The connection standard of KH series is complied with ISO5211 Standard. The upper part is square tenon while the lower part is square hole. The inner hole of series 320:1 and 450:1 have some keyways so that user can adjust the location for different valves.
4. Lift the stop pin then rotate the eccentric device 180° or 90°, the stop pin will automatic limit to achieve pneumatic. On the contrary, achieve manual operation.
5. When the product is shipped, equipped with special grease. After installation, the seal of waterproof and dustproof is complied with IP65.



Material Sheet

Parts No.	QTY	NAME	Standard Material	Possibility Material
1	1	Body	Aluminum alloy/carbon steel	
2	1	Cape	Aluminum alloy/carbon steel	
3	1	Gear	Nodular cast iron	
4	1	Connecting shaft	Carbon steel	
5	1	Eccentric bushing	Carbon steel	
6	1	Bearing units	Bearing steel	
7	1	Vortex rod	Carbon steel	
8	1	Handle	Carbon steel	
9	1	Limit components	Carbon steel/others	
10	1	Stopper srew	Carbon steel	
11	1	Hand wheel	Carbon steel	
12	1	Worm-wheel shaft	Chromeplated carbon steel	
13	1	Round pin	Carbon steel	
14	1	Round pin	Carbon steel	
15	1	Adjustable bolt	Stainless steel	
16	1	Nut	Stainless steel	
17	1	Bolt	Stainless steel	
18	1	Flat key	Carbon steel	
19	1	Circlip	Bearing steel	

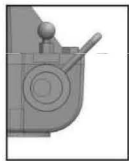
Operating instructions



Filed a limit pin

manual operation

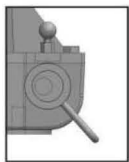
Filed a limit pin rotating switch handle, a left-handed upward direction to manually limit position, confirmed already in place, then the turbine worm bite, turn the handwheel to open and close the valve.



Left handed to manually

Automatic operation

Filed a limit pin rotating switch handle, right to the top and bottom to automatic limit position, to confirm that already in place, then the turbine worm out, turn the handwheel belong to idle.



Right to automatically

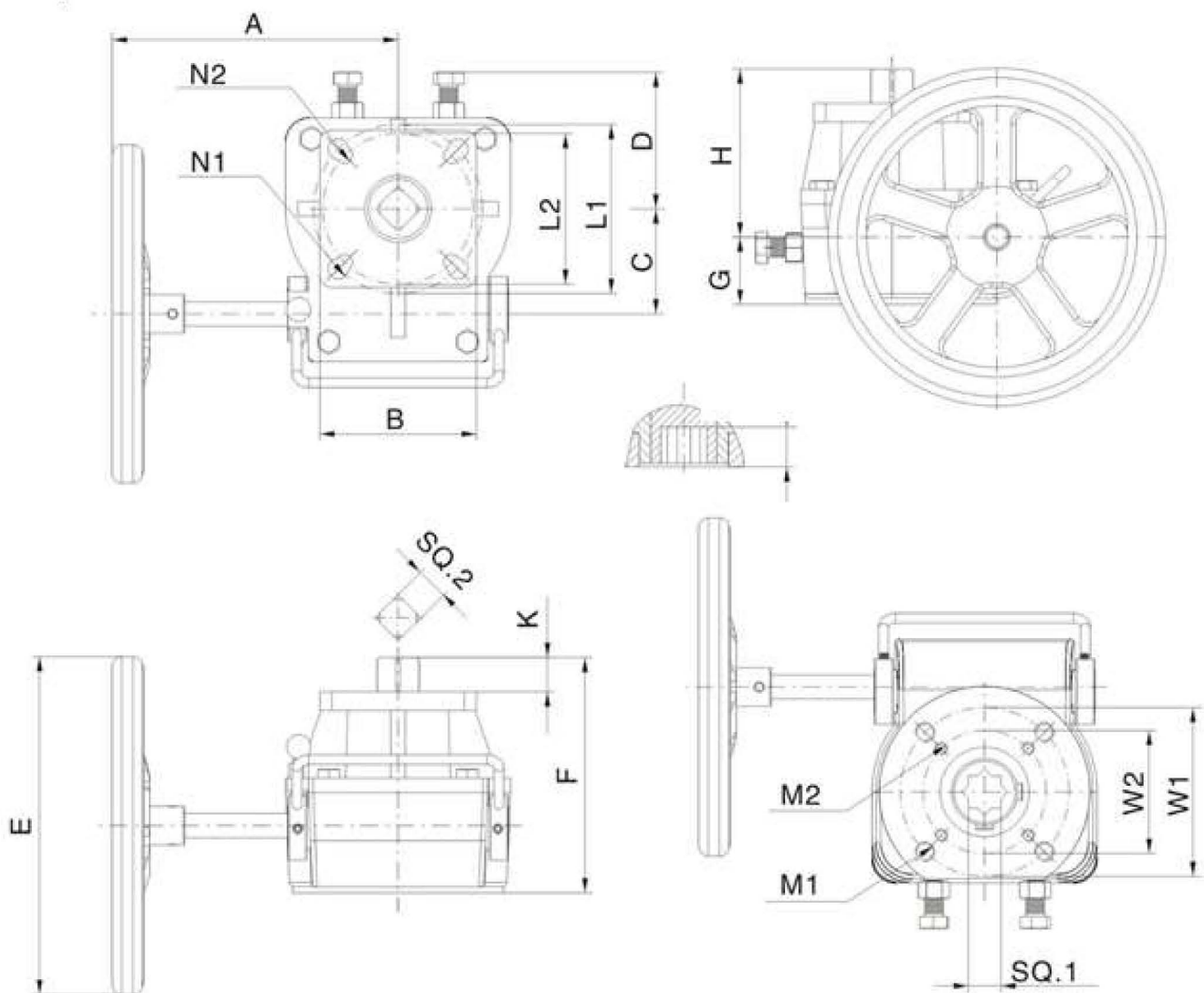
NOTES:

Switch in his hand up and down turns sticking phenomenon may occur, because this is a worm gear and worm bite, as long as light wave wheel cancel this jam phenomenon.

Technical Paramater

MODEL	GEAR RATIO	INPUT TORQUE	OUTPUT TORQUE	HAND WHEEL DIAMETER	WEIGHT(KG)
DG-01	26:1	50	100	Ø180	2.6
DG-02	30:1	60	215	Ø200	4.0
DG-03	38:1	90	434	Ø280	6.5
DG-04	54:1	110	1000	Ø300	13
DG-05	80:1	140	2000	Ø400	32
DG-06	78:1	200	3500	Ø500	43
DG-07	98:1	200	4200	Ø600	65
DG-08	100:1	200	6000	Ø600	95

Shape and connection dimensions



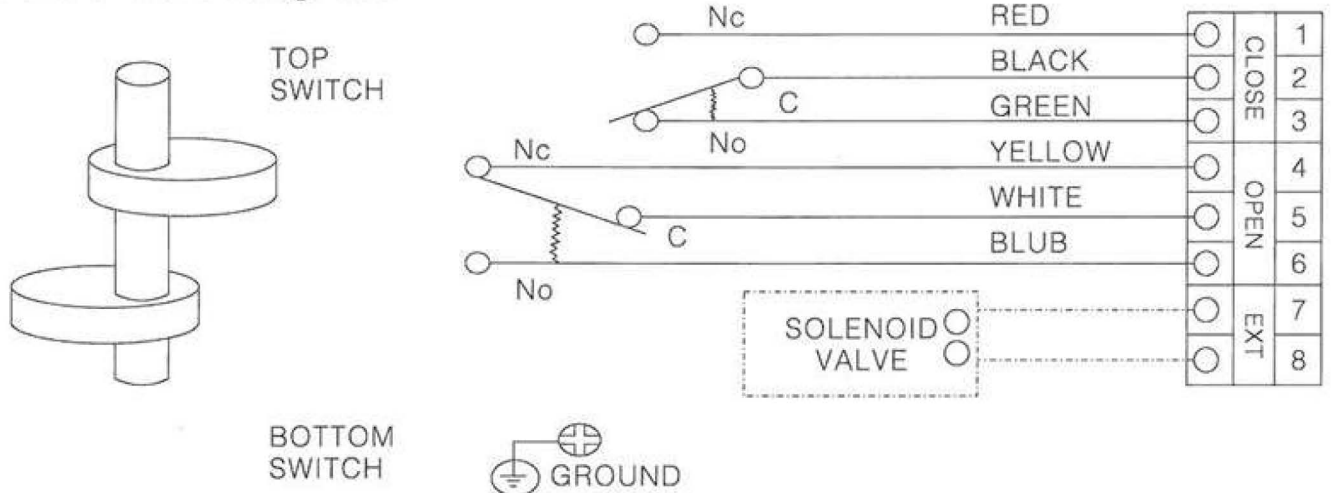
model	DG-1	DG-2	DG-3	DG-4	DG-5	DG-6	DG-7	DG-8
A	150	170	200	260	310	395	435	440
B	70	95	115	140	155	160	235	300
C	50	55	82	85	125	140	170	210
D	43	65	90	102	110	140	160	170
E	Ø180	Ø200	Ø280	Ø300	Ø400	Ø500	Ø600	Ø600
F	120	127	150	195	209	233	243	252
G	35	40	40	60	55	60	60	65
H	85	87	110	135	154	172	183	187
J	16	19	24	29	40	50	58	58
K	15	19	22	28	39	48	55	55
M1	M8x4	M10x4	M12x4	M16x4	M20x4	M20x4	M16x8	M16x8
M2	M6x4	M8x4	M10x4	----	----	---	----	---
W1	70	102	102	140	165	165	200	254
W2	50	70	70	----	----	---	----	---
SQ.1	14	17	22	27	36	46	55	55
N1	Ø10x4	Ø12x4	Ø14x4	Ø18x4	Ø22x4	Ø22x4	Ø18x8	Ø18x8
N2	Ø8x4	Ø10x4	Ø12x4	Ø16x4	Ø18x4	---	----	---
L1	70	102	125	140	165	165	200	254
L2	50	70	102	125	140	---	----	---
SQ.2	14	17	22	27	36	45	55	55

KST-200 LIMIT SWITCH BOXES (POSITION INDICATOR)



SPECIFICATION	STANDARD	OPTION	MATERIAL	
		문의		
Enclosure	Weatheproof IP67/NEMA4 & 4X	IP68	Housing cover&body	Aluminium die-casting
			Shaft	Stainless steel
Ambient temperature	-20°C~80°C		Indicator cover	Polycarbonate
			Indicator	ABS/Polycarbonate
Cable entries	2 x NPT1/2"	PF1/2",PT1/2"	Cam	Polycarbonate
		M20,PG13.5	Spring	Stianless steel
Position indicator	Closed:red Open:yellow	Closed:red Open:green	Housing cover bolt	Stianless steel
Switches	Mechanical switch x 2		O-ring	NBR
	Proximity sensor x 2		Bushing	Bronze
External coating	Polyester powder coating(black)	red,green,blue,	E-ring(shaft)	Stianless steel
		yellow,silver color,	Earth lug	Stianless steel
		Nylon coated	Bracket	Stianless steel
Shaft	Standard shaft(17mm)	Long shaft		

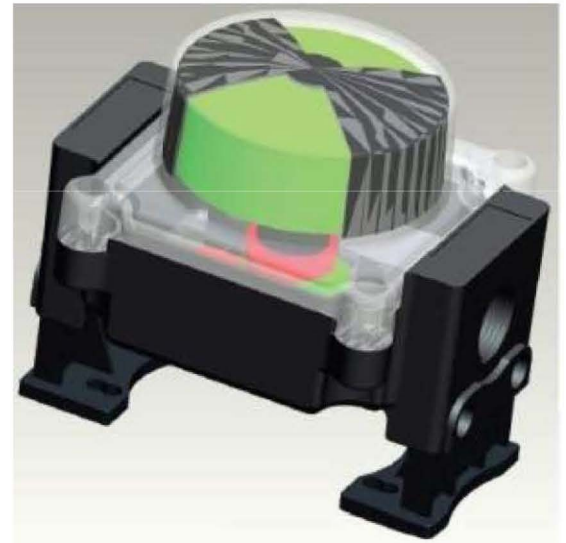
KST-200 wire diagram



KST-201 LIMIT SWITCH BOXES (POSITION INDICATOR)

KST-201 series polymer material limit switch boxes can provide local or remote indication of rotary valve operation position. flexibility and economy are their great merits. A large size 3D rotor being used in , so the valve or actuator position is of high visibility. KST-201 series has multifunction optional, it is an ideal multipurpose limit switch for IP67 application. In addition, the product also has a tight sealing and solid characteristics, so it is suitable for intrinsic safety application.

KST-201 series has great flexibility, can be customized according to the specific needs of efficient solutions



KST-201 SPECIFICATIONS

Weather proof	Travel	Ambient temperature	Voltage	Current	Cable entries
IP67	0°~90°	-20C°~80C°	250V	15A	M20x1.5 (1/2NPT/f or PG13.5 optional)

DISTINGUISH FEATURES OF KST-201



1. With enhanced polymer manufacturing, namely, UV and UV and VO polycarbonate cover ,VO enhanced PPE housing shell , its mechanical strength is equivalent to aluminum alloy, and strong corrosion is its inherent merit. resistance, the mechanical strength of the equivalent of Aluminum Alloy, so it can be used in harsh environment.
2. Adjustable cam with spline installation, so easy to debug, have good anti - seismic performance.
3. KST-201 limit switch boxes' design is exquisite, the total height is only 76mm.
4. The module structure in line with IP65, NAMUR4 and 4X standards
- 5, complete functions: mechanical switch is suitable for ordinary occasions, gold-plated mechanical switch or PNP proximity switch for small current situations, proximity switch can be used for explosion-proof occasions.

KST-202(DS R114P) mini horseshoe type limit switch



DS R114P horseshoe type magnetic induction limit switch box can accurately detect the open/close state of a valve, then convert it into electric signal and feed back to host computer. With exquisite structure, it allows to be mounted on pneumatic rotary motion actuators of different brands due to its conformity with NAMUDR.

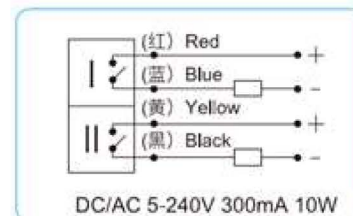
DS R114P SPECIFICATIONS

Ambient temperature	-45℃~+85℃
Sensor type	Magnetic
Induction distance	1~6mm
Switching element function	NO(NC optional)
Switching frequency	0~4.8KHz
Position indicator	0~90°
Working voltage	5~240VAC/VDC
Working current	0~300mA
Rated power	10W
Weather proof	IP67



DS R114P FEATURES

1. Mini and compact design.
2. Easy and fast mounting.
3. Connection according Numur standard.
4. AC and DC dual.
5. Moisture proof and corrosion proof.
6. No sparks generating with electronic circuit control.
7. Without easy wearing electronic components.



Electrical connection

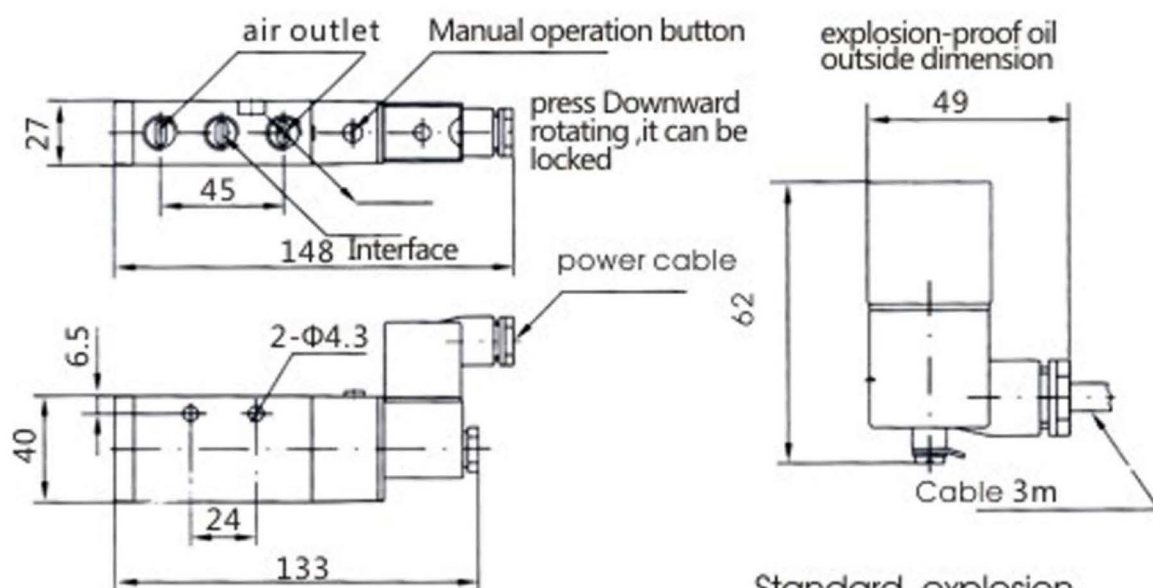
Name: Air Set (MODEL : KST-400)



모델	KST-400
Material	Metal, Plastic
Working Medium	Air
Max. Pressure	0.95MPa / 135psi / 9.5Bar
Adjustable Pressure Range	0.15-0.85Mpa / 20-120psi / 1.5-8.5Bar
Joint Pipe Thread Diameter	13mm
Joint Pipe Size	1/4PT
Gauge Connector Thread Diameter	9.5mm
Total Size	39 x 155mm/ 1.5" x 6.1" (D * H)
Gauge Range	0 - 10kg/cm ² / 0 - 1MPa
Pressure Gauge Size	42 x 25.5mm/ 1.6" x 1" (D * T)
Color	Clear, Black, Red
Weight	220g

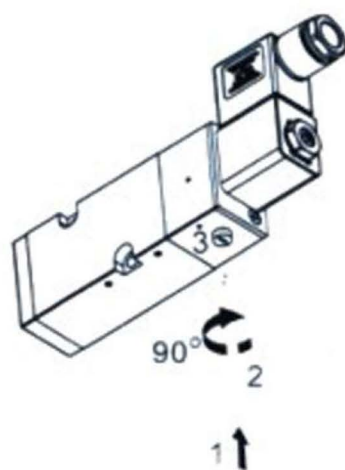
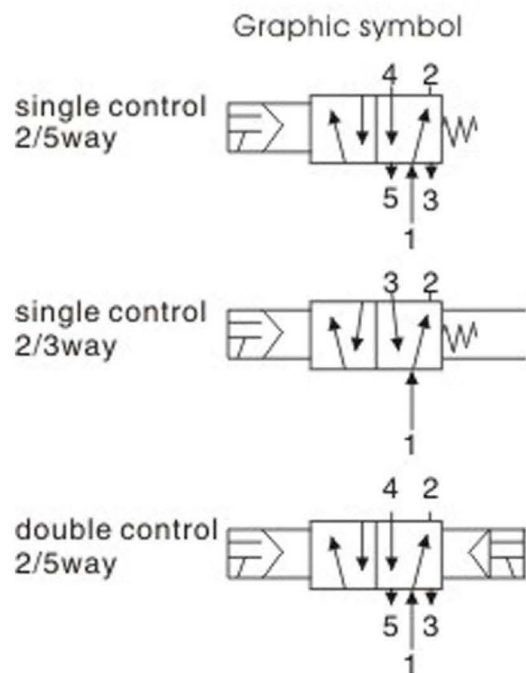
Solenoid Valve Dimensions

working medium	Air
Interface	air inlet g1/4,air outlet 1/ 4
Effective cross-sectional area (MM2)	35
Lubricating	not required
Working pressure (MPa)	0.15~0.8
Operating temperature° C	0-50
Voltage range	15%
Power consumption	AC220V: 3.9VA.6.0VA.8.5VA; DC24V: 2.5W, 4.8W
Exchange time (S)	0.05
Manually	press the reversing
Basic	Ip65
Explosion-proof	Exm T4

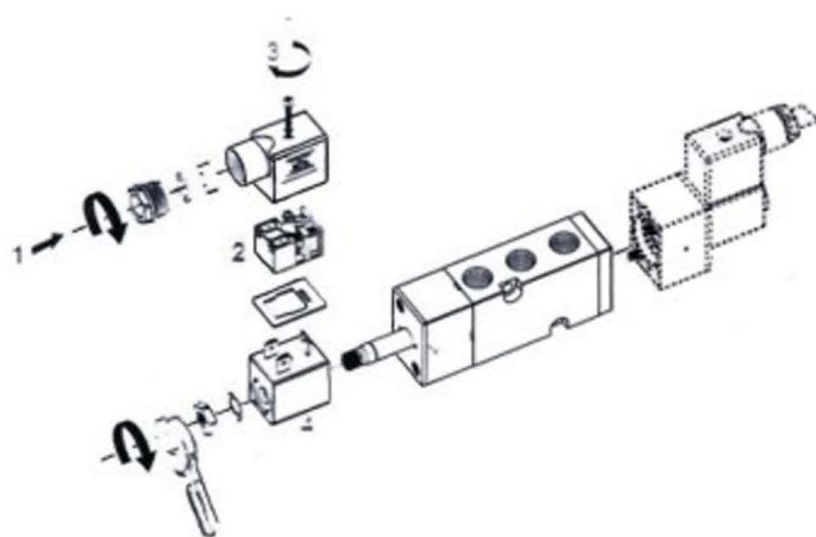


Standard ,explosion-proof oil come from Gemany Nass company,but we can





B description



Instructions

Note A, the power cable through the junction box cover an access such as Terminal 2, then after a good cross screwdriver on the terminal box cover 3 1 fasten, fasten the junction box will play a sealed role. Removable to facilitate replacement of the coil 4. Note B, a single electronic control: the need for operation, with the word screwdriver 1 (also on fingers) Promote button 3, the solenoid valve commutation, release automatically reset. For for back lock, reset button when the form of restitution, that is re when the push button lock 3 clockwise 90. The solenoid valveset.

Dual Electronic Control: There are two manual buttons 3, 3 solenoid valve push start button click change to promote another button reset: it has memory function, and promote what you can release.

메가텍 자동밸브

MEGATEC

서울사무소 : 서울시금천구 시흥대로97 19동202호
(시흥동, 시흥유통상가)

본사및 공장: 경기도 안산시 단원구 만해로205 B동505호
(성곡동, 타원타크라3차)

대 표 전 화 : 02-896-8800 , 팩스 : 02-896-8883

이 메 일 : info@kst-korea.com

홈 페이지 : www.kst-korea.com